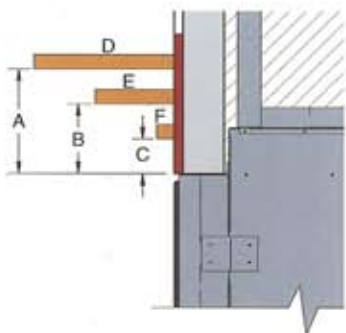


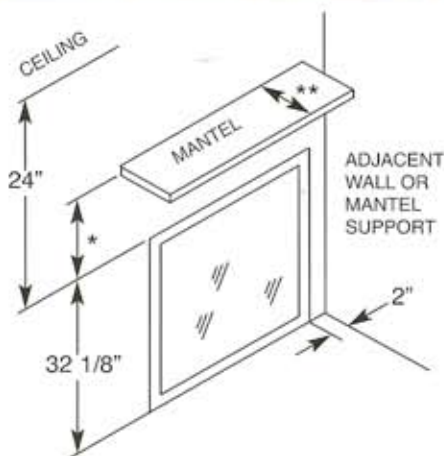
TOWN & COUNTRY FIREPLACES

See-Thru

MANTEL CLEARANCES



REF.	* MANTEL CLEARANCE	REF.	** MANTEL DEPTH
A	9"	D	12"
B	6"	E	6 3/4"
C	3"	F	1 1/2"

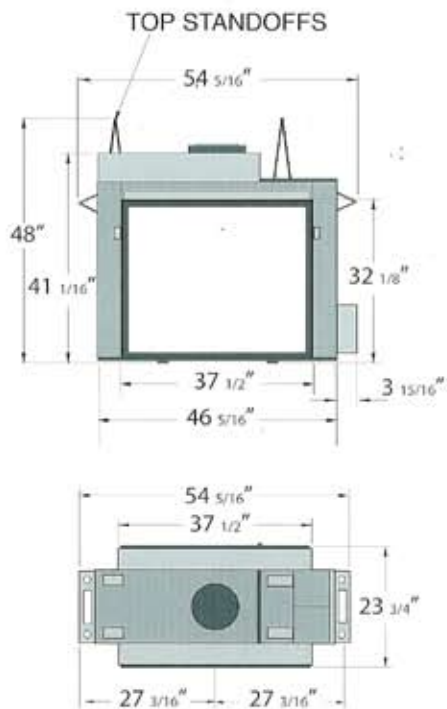


Canada ENERGUIDE	BTU INPUT	NG	LP
	HIGH	61,000	61,000
Look for the EnerGuide Gas Fireplace Energy Efficiency Rating in this brochure	LOW	46,200	46,200
Based on CSA F4.1-02	EnerGuide Rating	36.45%	36.45%

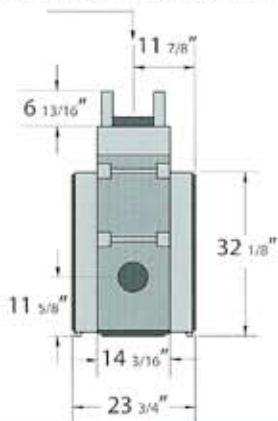
Town & Country Fireplaces are decorative appliances – crafted with low heating efficiency for maximum viewing comfort.

Hearth & Home of Ky
6001 Benton Rd.
Paducah, KY 42003
270-898-7888

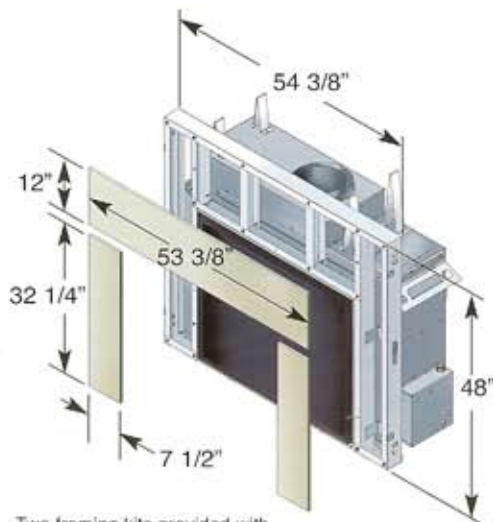
APPLIANCE DIMENSIONS



CENTER OF FLUE OUTLET



FRAMING KIT DIMENSIONS

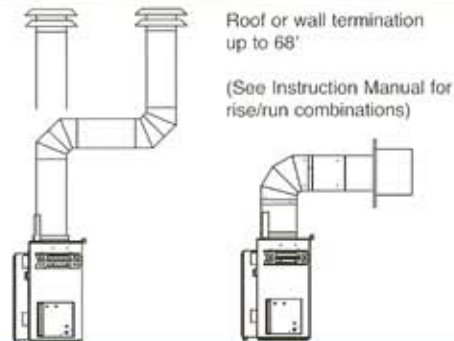


Two framing kits provided with each See-Thru fireplace.



Town & Country's comprehensive Warranty assures you of a lifetime of warmth and pleasure

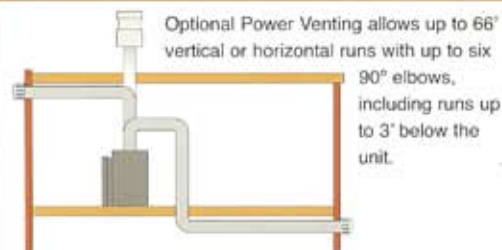
TOWN & COUNTRY VENTING



Roof or wall termination up to 68"

(See Instruction Manual for rise/run combinations)

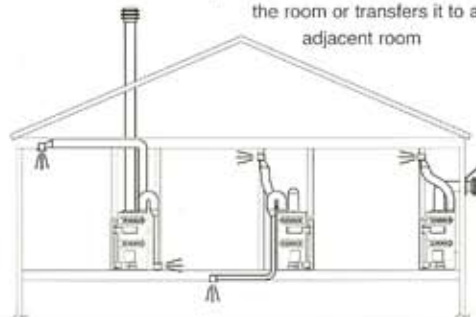
TOWN & COUNTRY POWER VENT



Optional Power Venting allows up to 66" vertical or horizontal runs with up to six 90° elbows, including runs up to 3' below the unit.

OPTIONAL REMOTE HEAT KIT

Optional Remote Heat Kit, with Variable-Speed Fan, controls heat flow from your Town & Country Fireplace to the room or transfers it to an adjacent room



FIND A TOWN & COUNTRY FIREPLACE RETAILER AT www.townandcountryfireplaces.net/showroom

ARCHITECT, DESIGNER AND BUILDER RESOURCES AT www.townandcountryfireplaces.net

OR EMAIL sales@townandcountryfireplaces.net



TOWN & COUNTRY
FIREPLACES™